

BASKET FAN

RECIRCULATION

HIGHT OUTPUT PERFORMANCE, LOW COST!

Our deluxe Basket Fan series combines high output performance, low cost and maintenance, and energy efficiency to give you one of our best-valued fan series. It provides a high-velocity air pattern with quiet operation.

WHEN APPLIED PROPERLY, SKOV-SECCO RECIRCULATION FANS CAN BE USED IN THE FOLLOWING APPLICATIONS:

- Air de-stratification reduces heating and cooling bills
- Enhances airflow and supports air exchange when placed in wall openings or open sidewall barns
- Consistent air temperature throughout the barn
- Heat stress relief for young and adult livestock, both for indoors and outdoor
- Surface drying (including animal bedding).
- People and animal cooling
- Machine/compressor cooling
- High-velocity air cooling
- Insect control

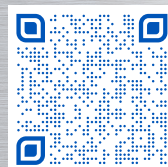


FEATURES

- Heavy wire with powder coating finishing to prevent corrosion for years
- Airflow design to maximize the efficiency
- Three blades are made with nylon PA66 + fiber reinforcement
- Impeller pitch and motor are closely matched to provide maximum airflow output and the best efficiency
- All stainless steel base and guard
- All top motion motors are designed and rated for years of trouble-free and quiet operation with high efficiency
- Swivel mounting bracket for multiple mounting (ceiling, post, and wall)
- CE and cCSAul certification
- Optional OSHA approved safety guard



For more information
skov-secco.com




SKOV-SECCO
United by Dairy

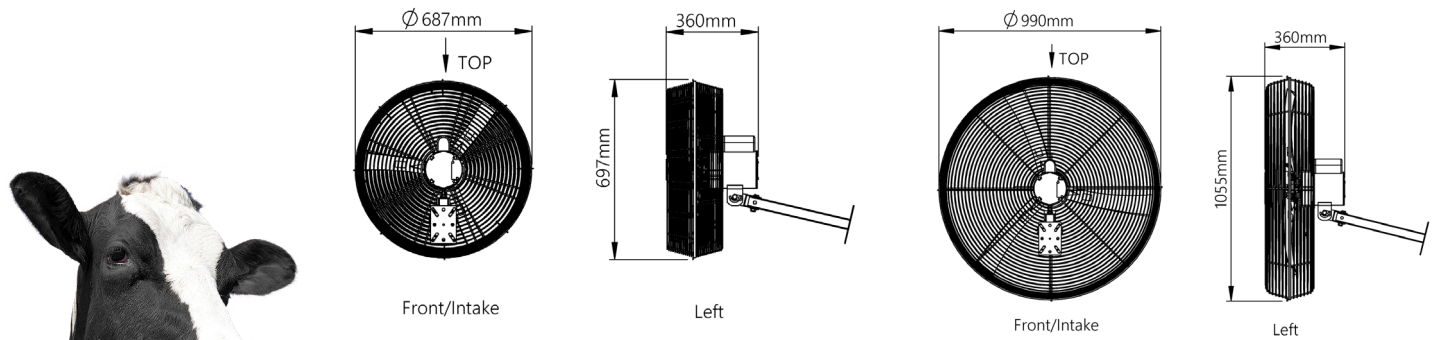
BASKET FAN

RECIRCULATION

General Info	Phase	Hz	Volts	Nominal Blade Size (mm)	Blade Qty	Max. current (Amp)	Impeller RPM	Input Power (W)	Airflow (CFM) [m ³ /h]	CFM/Watt [W/1000 m ³ /hr]	Power Factor	Motor Certification
24"	1	50 Hz	230	610	3	2.20	1 368	465	4 650 [7 900]	10.1 [59.0]	0.72	CE
		60 Hz	230			2.80	1 662	541	5 340 [9 072]	9.9 [59.7]	0.92	cCSAul
36"	1	50 Hz	230	920	3	2.30	920	490	8 950 [15 200]	18.3 [32.0]	0.97	CE
		60 Hz	230			3.09	849	575	9 302 [15 804]	17.3 [34]	0.88	cCSAul
	3	60 Hz	230 / 460	1.30	849	496	9 329 [15 851]	18.8 [31.3]	0.57	cCSAul		

General info	Frame	Motor Specification	Protection Class	Speed	Ambient Temperature Rating	Nominal Power	Service Factor	Weight (kg)	Guard	Insulation Class	OSHA Protection
24"	NEMA 56	TEAO	IP54	Single	40°C	½HP – 0.375 kW	1.0	18	Steel + Powder Coating	F	Optional
36"	NEMA 56	TEAO	IP54	Single	40°C	½HP – 0.375 kW	1.0	23	Steel + Powder Coating	F	Optional

Other configurations are available.
 The products shown in this brochure are covered by a limited warranty.
 Due to our continual effort to provide better products and services; literature, products, performance data, and prices may change without notice.



For more information
skov-secco.com

info@skov-secco.com

