

BF 50 SuperFlow

HIGH PERFORMANCE ✓ DIRECT DRIVE ✓ NO MAINTENANCE ✓

The BF 50 recirculation fan is a part of the SKOV's BlueFan series. The BF 50 is specially developed for the harsh environment in livestock houses.

The BF 50 recirculation fan creates a pleasant house climate and contributes to healthy and productive dairy cattle. Especially when outside temperatures are high, ventilation and sufficient air speed are vital.

By using the recirculation fans, heat stress can be prevented and productivity maintained.

INTELLIGENT DESIGN

- Optimized design for maximum airflow
- Long throw – fewer fans to blow over long distance
- Very robust and no maintenance

ENERGY EFFICIENT MOTORS

- ON/OFF fans – with possibility of variable control via frequency controller
- LPC fans - variable control and low energy consumption
- Direct driven impellers – no belt to be maintained
- IE3 and IP 65 classified
1 or 3 phase motor 50/60 Hz
- cUL approved
- 2-years warranty

NONCORROSIVE MATERIALS

- Housing of polypropylene
- UV protected materials
- Impeller of fiberglass-reinforced polypropylene
- Mesh of stainless steel
- Blades diameter: 1278 mm (50")
- Shipping weight: 72 kg

ACCESSORIES

- Brackets for easy mounting
- Standard brackets – easy to install on-site
- Safety mesh for air in and output



LPC version managed
by DOL-31



For more information

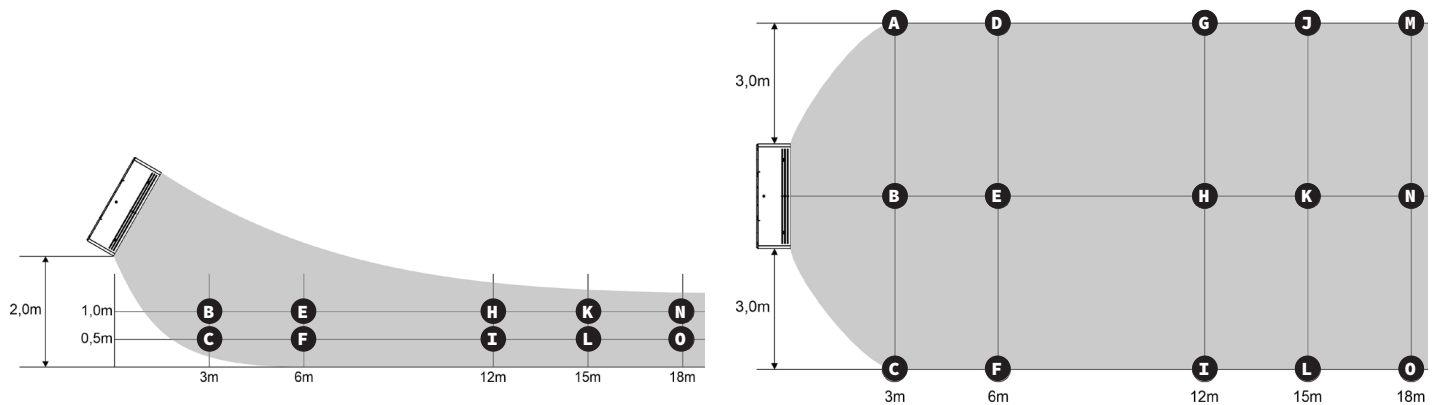
seccointernational.com



BF 50 SuperFlow

TECHNICAL INFORMATION

| SIZE | VOLT | PH (kW) | AMP | RPM | Hz | WATTS USED MAXIMUM | CFM (m³/h) 0" SP (0 Pa) | CFM/WATT (WATT/1000m³/h) 0" SP (0 Pa) | SPEED |
|--------------|------|----------|------|-----|-------|--------------------|----------------------------|---|----------------|
| 50" (127 cm) | 230 | 1 (1.34) | 6.86 | 698 | 50 | 1341 | 27 370 (46 500 m³/h) | 20.44 (28.8) | SINGLE |
| 50" (127 cm) | 230 | 1 (1.36) | 6.55 | 845 | 60 | 1358 | 26 015 (44 200 m³/h) | 19.17 (30.7) | SINGLE |
| 50" (127 cm) | 400 | 3 (1.41) | 2.98 | 679 | 50 | 1405 | 29 015 (49 300 m³/h) | 20.65 (28.5) | SINGLE |
| 50" (127 cm) | 230 | 1 (1.31) | 6.28 | 680 | 50/60 | 1113 | 29 075 (49 400 m³/h) | 21.80 (27.0) | LPC (variable) |
| 50" (127 cm) | 400 | 3 (1.27) | 2.37 | 680 | 50/60 | 1276 | 29 075 (49 400 m³/h) | 22.64 (26.0) | LPC (variable) |



| BF 50 ON/OFF 230V1 60 Hz | | | | | | | | | | | | | | | |
|--------------------------|--------|--------|--------|--------|--------|--------|--------|--------|--------|--------|--------|--------|--------|--------|--------|
| FT/MIN | A | B | C | D | E | F | G | H | I | J | K | L | M | N | O |
| Side view | | 1438.1 | 1497.2 | | 474.77 | 935.75 | | 265.95 | 581.15 | | 305.35 | 429.46 | | 244.28 | 354.6 |
| Top view 1.64 ft (0.5 m) | 141.84 | 1497.2 | 185.18 | 283.68 | 935.75 | 328.99 | 457.04 | 581.15 | 407.79 | 429.46 | 429.46 | 340.81 | 352.63 | 354.6 | 330.96 |
| Top view 3.28 ft (1.0 m) | 100.47 | 1438.1 | 126.08 | 114.26 | 474.77 | 167.45 | 232.46 | 265.95 | 230.49 | 263.98 | 305.35 | 240.34 | 265.95 | 244.28 | 236.4 |

| BF 50 ON/OFF 230V1 50 Hz | | | | | | | | | | | | | | | |
|--------------------------|--------|---------|---------|--------|--------|--------|--------|--------|--------|--------|--------|--------|--------|--------|--------|
| FT/MIN | A | B | C | D | E | F | G | H | I | J | K | L | M | N | O |
| Side view | | 1516.9 | 1605.55 | | 468.86 | 1142.6 | | 279.74 | 600.85 | | 281.71 | 439.31 | | 238.37 | 319.14 |
| Top view 1.64 ft (0.5 m) | 153.66 | 1605.55 | 147.75 | 283.68 | 1142.6 | 360.51 | 480.68 | 600.85 | 502.35 | 457.04 | 439.31 | 350.66 | 301.41 | 319.14 | 370.36 |
| Top view 3.28 ft (1.0 m) | 80.77 | 1516.9 | 92.59 | 108.35 | 468.86 | 151.69 | 232.46 | 279.74 | 242.31 | 299.44 | 281.71 | 214.73 | 214.73 | 238.37 | 262.01 |

| BF ON/OFF 400V3 / BF 50 LPC | | | | | | | | | | | | | | | |
|-----------------------------|--------|---------|---------|--------|---------|---------|--------|--------|--------|--------|--------|--------|--------|--------|--------|
| FT/MIN | A | B | C | D | E | F | G | H | I | J | K | L | M | N | O |
| Side view | | 1871.5 | 1739.51 | | 421.58 | 1172.15 | | 319.14 | 687.53 | | 407.79 | 547.66 | | 299.44 | 439.31 |
| Top view 1.64 ft (0.5 m) | 179.27 | 1739.51 | 161.54 | 332.93 | 1172.15 | 358.54 | 502.35 | 687.53 | 553.57 | 460.98 | 547.66 | 401.88 | 409.76 | 439.31 | 378.24 |
| Top view 3.28 ft (1.0 m) | 96.53 | 1871.5 | 92.59 | 126.08 | 421.58 | 175.33 | 258.07 | 319.14 | 262.01 | 291.56 | 407.79 | 299.44 | 307.32 | 299.44 | 275.8 |

Distributed by: